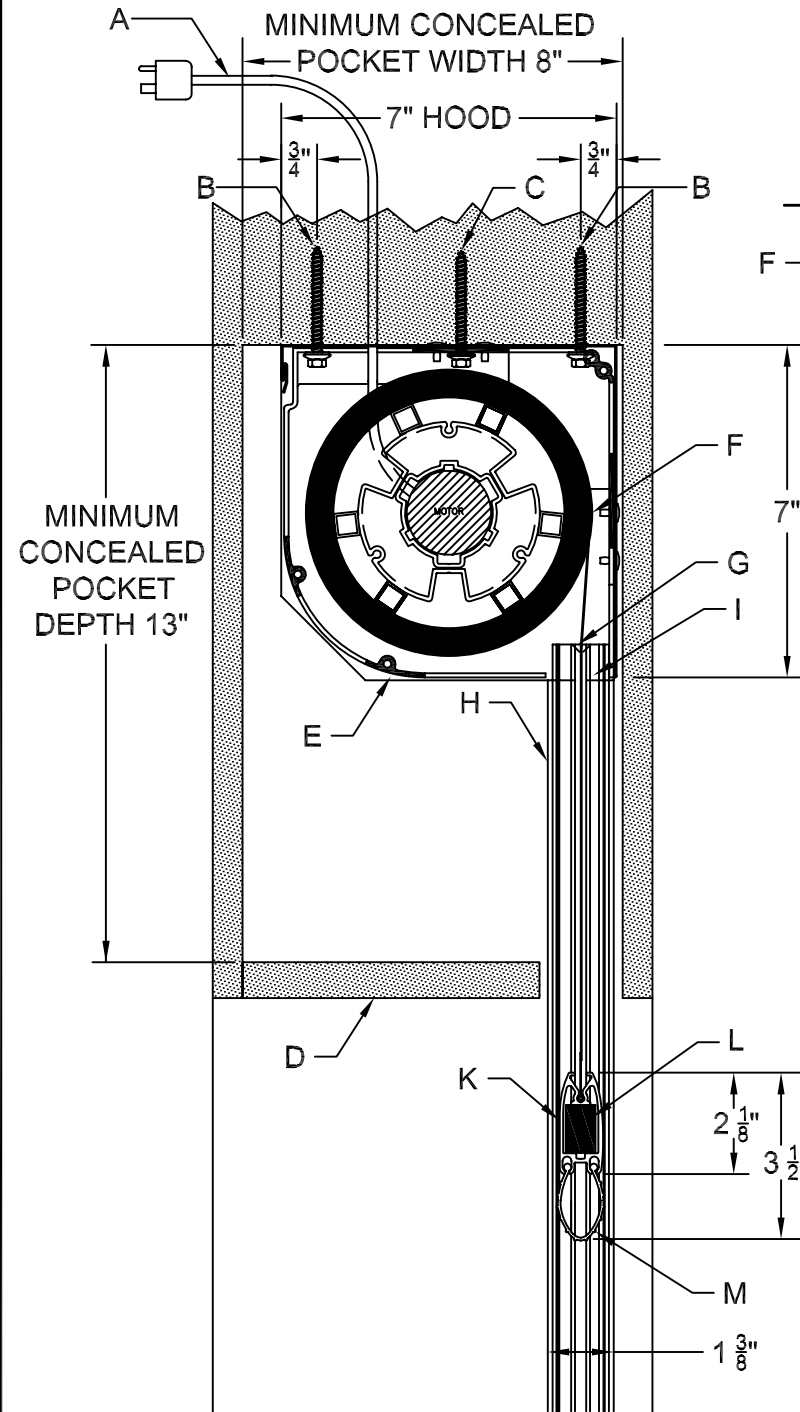


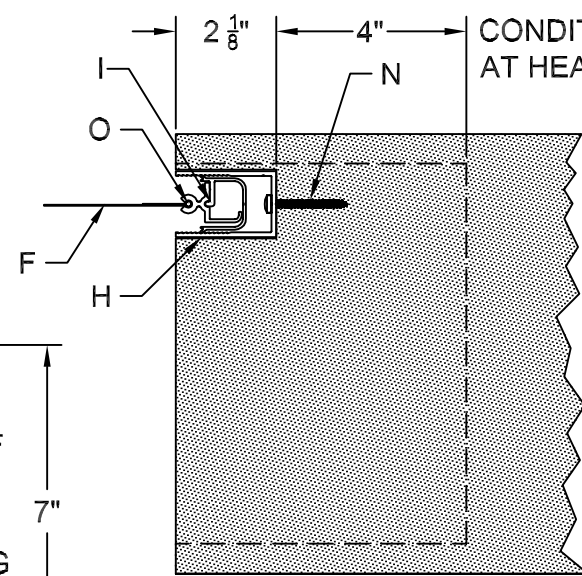
DETAIL AA



MINIMUM CONCEALED POCKET DEPTH 13"

NOTE: REMOVABLE METAL HOOD UNIT COVER NOT USED WITH THIS APPLICATION.

DETAIL BB



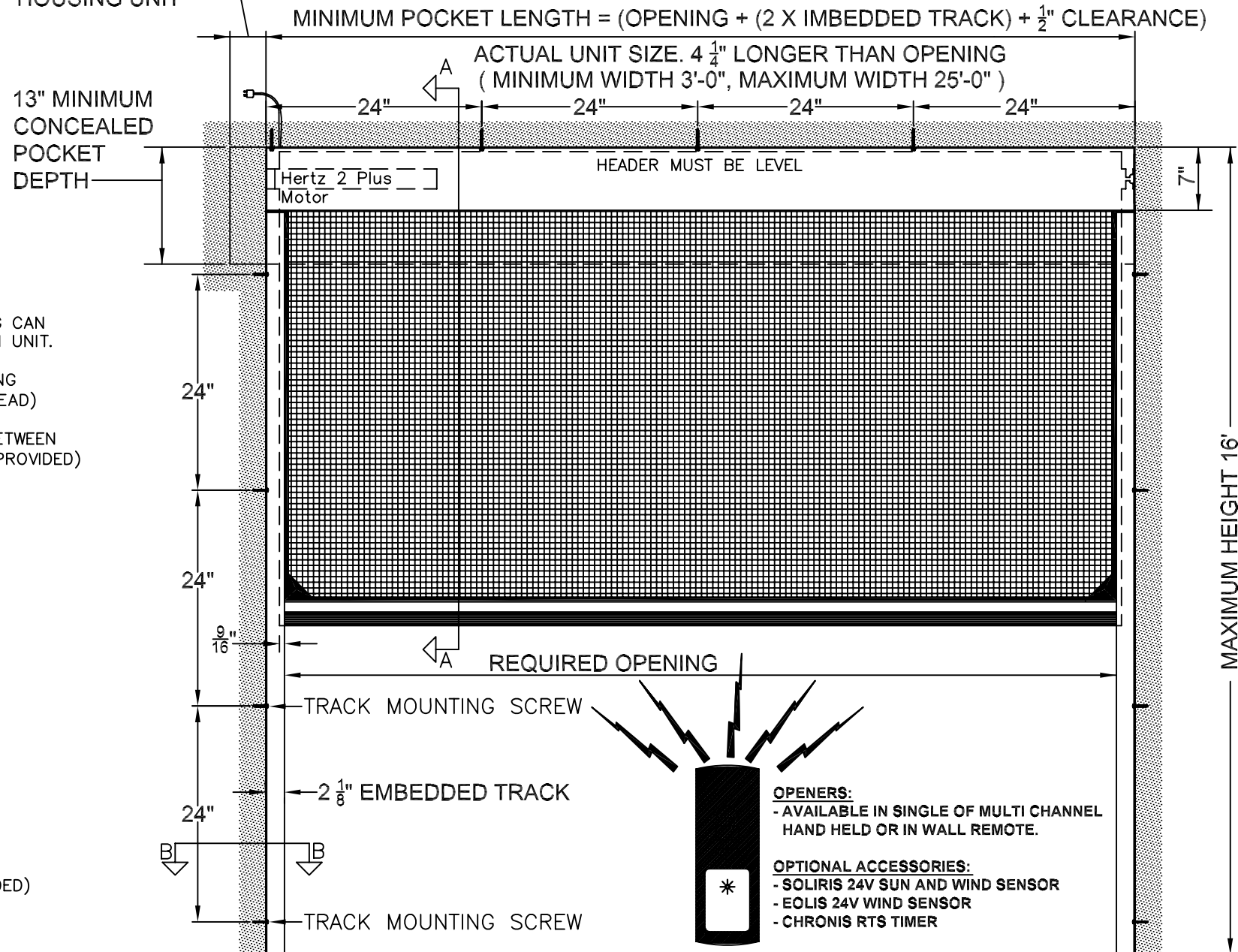
CONDITION AT CONCEALED POCKET AT HEAD SHOWN DASHED

PROVIDE ADDITIONAL 4" MINIMUM CONCEALED POCKET ON MOTOR END TO ALLOW FOR FUTURE REMOVAL OF HOUSING UNIT

- A) 110 V. 6' LEAD C/W PLUG, MOTOR & PLUG CAN BE POSITIONED AT EITHER END OF SCREEN UNIT.
- B) DOUBLE INTERMEDIATE SCREWS, 24" SPACING (NOT PROVIDED 2" X #12 PAN OR HEX HEAD)
- C) SINGLE END MOUNTING SCREW, LOCATED BETWEEN RIVETS OF CAST END CAP. SCREWS (NOT PROVIDED) RECOMMEND 2" X #12 PAN OR HEX HEAD
- D) REMOVABLE COVER PANEL (NOT PROVIDED)
- E) CAST END CAP
- F) SCREEN MESH
- G) CHAMFERED ENTRANCE TO SCREEN TRACK
- H) RECESSED TRACK HOUSING
- I) RECESSED TRACK ASSEMBLY (ADJUSTABLE WITHIN TRACK HOUSING)
- K) WEIGHT BAR
- L) PROBE
- M) BOTTOM SEAL
- N) SIDE TRACK MOUNTING SCREW (NOT PROVIDED) RECOMMEND 2" X #12 PAN HEAD
- O) SCREEN RETENTION ZIPPER

MIRAGE MOTORIZED SCREEN 7" HOOD RECESSED & CONCEALED

RECESSED ROLLER, TRACKS, AND HOOD



MAXIMUM OF 2% SLOPE CAN BE ACCOMMODATE AT GROUND LEVEL

NOTE: BUILDING GENERAL CONTRACTOR IS RESPONSIBLE FOR PROVIDING ADEQUATE BACKING IN WALLS AND HEADERS TO AFFIX SCREEN UNITS TO THE BUILDING

ALCO
VENTURES INC.
turning good houses into Great Homes™
9747 199A Street, Langley, BC, Canada, V1M 2X7
Phone: 604-888-7655 info@alcoventures.com
Fax: 604-888-1718 www.alcoventures.com

Product Line...	PROJECT: STANDARD SCREEN APPLICATION & DETAILS	LOCATION: N/A
	CLIENT: N/A	

MIRAGE MOTORIZED SCREEN		
DRAWN -	PROJECT No	YEAR / No
DESIGNED -	CHECKED	N/A
SCALE NTS	CHECKED	DATE

MOUNTING: RECESSED ROLLER & TRACK		
1	DATE	ISSUED FOR REVIEW
No	DATE	ISSUED - REVISION

Motorized Screen 7" Hood Recessed
DRAWING No RECESSED 7 Modify

